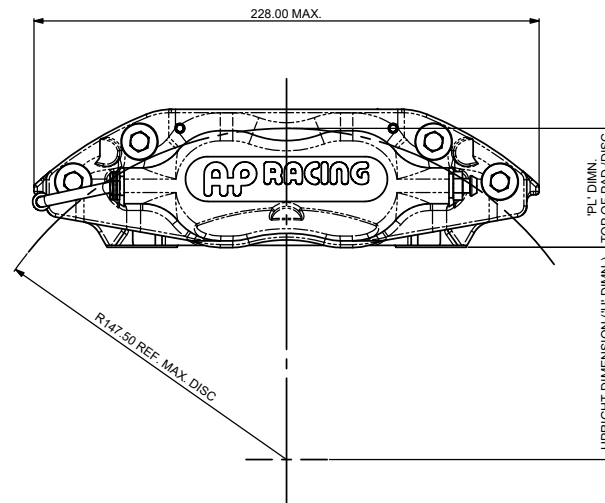
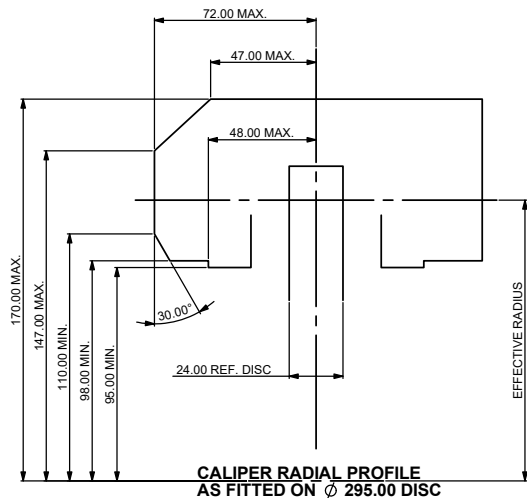




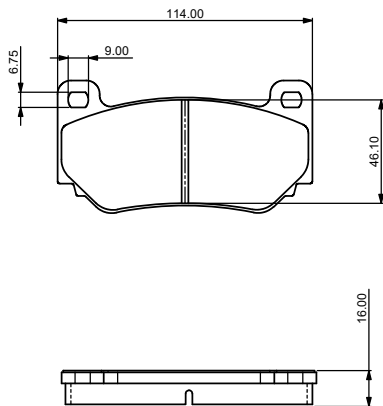
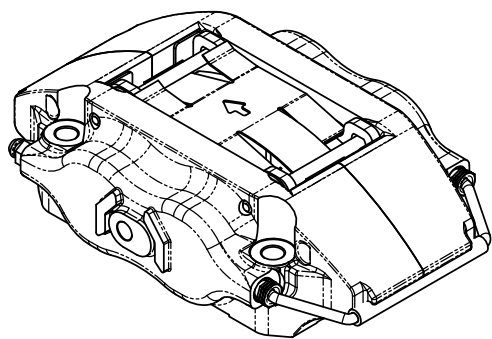
CALIPER SPECIFICATION

BORE SIZE	38.10 X 38.10 (1.50" X 1.50")
PISTON AREA / PAD	22.80 SQ. CM
DISC DIA. MAX.	295.00
DISC THICKNESS MAX.	24.00
DISC THICKNESS MIN.	22.00 (DIFFERENTIAL WEAR NOT TO EXCEED 0.50MM SIDE TO SIDE)
WORKING PRESSURE MAX.	80 bar
HYDRAULIC FEED	M10 X 1.0
DRY WEIGHT (LESS PADS)	2.3 kg
PAD FAMILY	CP7600
EFFECTIVE RADIUS (ON DIA. 295.00 DISC)	125.00
'PL' DIMN.	53.00
OFFSET 'C' DIMN.	47.4
MTG. HOLE CENTRES 'D' DIMN.	130.00
PAD FRICTION MATERIAL MIN. THICKNESS	2.50
PAD RETENTION	2 X FRICTION RETAINED PINS
TIGHTENING TORQUES	BLEED SCREW : 17Nm HYDRAULIC FEED : 25Nm
CORROSION PROTECTION	FLUID RESISTANT RED PAINT FINISH - ALUMINIUM BODY BOOT TYPE DIRT SEALS

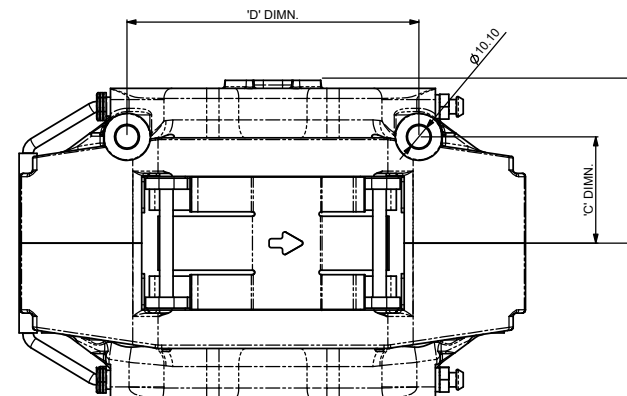


CALIPER IDENTIFICATION CHART

RHT	RIGHT HAND TRAILING (BEHIND AXLE)
LHT	LEFT HAND TRAILING (BEHIND AXLE)
RHL	RIGHT HAND LEADING (IN FRONT OF AXLE)
LHL	LEFT HAND LEADING (IN FRONT OF AXLE)



CP7600 PAD FAMILY
 PAD AREA (MAX.) - 45 SQ. CM



PART NUMBERING CONVENTION

PART NUMBER	DESCRIPTION
CP7600-2S0	RHT - SIDE FEED - NO ANTI KNOCK BACK SPRING
CP7600-3S0	LHT - SIDE FEED - NO ANTI KNOCK BACK SPRING
CP7600-4S0	RHL - SIDE FEED - NO ANTI KNOCK BACK SPRING
CP7600-5S0	LHL - SIDE FEED - NO ANTI KNOCK BACK SPRING

Issue No.	Alterations		
	Date & No.	Particulars	Zone / Initials
1	13/12/01 R08986	FIRST ISSUE	# TTF
2	10/09/02 RAC10757	CALIPER SPECIFICATION UPDATED	#4 TTF

SCALE 1:1	SHEET 1 OF 1
DRAWN TOMISLAV FERENC	
APPROVED	
DERIVED FROM	
TITLE CALIPER INSTALLATION DRAWING Ø295 x 24 DISC INSTALLATIONS	
DRG NO.	cp7600-12cd